

## Sight glass level gauge PN40 / CL300 to PN100 / CL600

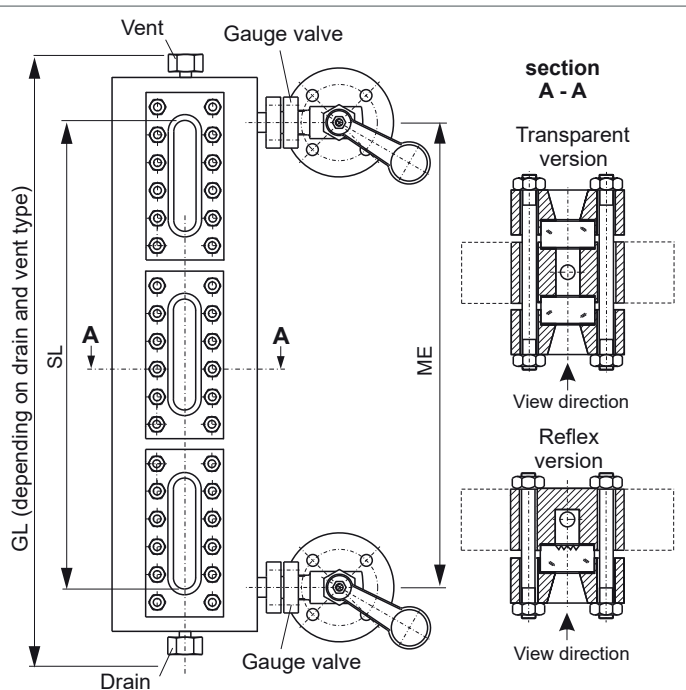
"Cold" High pressure, Reflex, Transparent, Connection top-bottom pivoted  
Connection gauge valve to gauge chamber: union  
Offset, handwheel

Product group **700**

Type **39**

Sheet: 1 Revision: 3

Date: 04/22



### Field of Application

Direct reading liquid level indicator for general applications up to PN100/CL600 (depends on glass type). Increased safety with ball check valves.

### General Data

Visible length SL: =ME  
Body: 80x40, 100x40, 120x40, 140x40  
Connection gauge valve - body: flange  
Gauge valve types: s. Data sheet 760.14/15/16/17  
Actuation: quick closing  
Material glass plates acc. to DIN 7081: Borosilicate  
Material media wetted parts: CS, SS  
Depending on delivery situation material can vary.  
Types with special materials e. g. Hastelloy, Monel etc. are available.  
Weight  
- basic weight (glass type 4-9) reflex / transparent: 21.0-27.0 / 24.0-32 kg  
- per segment (glass type 4-9) reflex / transparent: 7.9-15.6 / 10.4-19.8 kg  
Depending on execution weight can vary.

### Design Data

Design pressure/-temperature see derating  
80x40, 100x40, 120x40, 140x40: data sheet BG00RA-00RD

### Further Data

Connection gauge valve - body: see 700.VAR  
Process connection: see 700.VAR  
Vent: see 700.VAR  
Drain: see 700.VAR

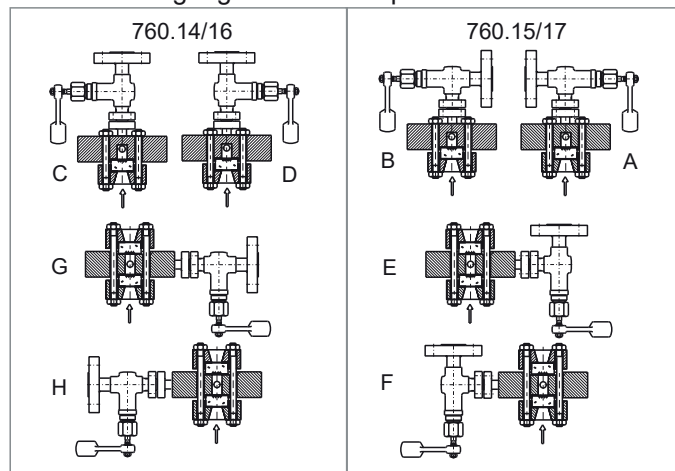
### Accessories

Glass protection etc.: see accessories  
Frosts protection: see accessories  
Illumination: see accessories  
Scale: see accessories  
Heating: see accessories

CS (= carbon steel) and SS (= stainless steel type 316SS) are materials suitable for Pressure Vessels according to EN or ASME.

Subject to alterations

### Orientation of gauge valve and operation



### Ordering no.

7 0 0 3 9 X X X X X X X - X X - X X X X X X X X X - X X X X		see 700.VAR	ME [mm]	
bridging	without	0	results from ME X spec. glass types	
	with	1		
glass window	Reflex (DIN 7081)	1	nos of segments	
	Transparent (DIN 7081)	2		
gauge valve	760.14	1 4	X   A - D, depends on design pressure X   see data sheet 760.14/15/16/17	
	760.15	1 5		
	760.16	1 6		
	760.17	1 7		
			DIN-bolts, -nuts	DIN/ASME
			A ANSI-bolts, -nuts	
				gauge body
				orientation gauge valve

## Phönix Control Kft.

Bolyki Tamás street 44.

Ozd, 3600, Hungary

Tel.: +36-48-572-310

+36-48-572-567

Fax.: +36-48-471-642

E-mail: info@phoenix-brv.hu

web: www.phoenixcontrol.hu