

Product type

BRV-132

Variable Area Flow Meter

Rev. 4. 05 / 22

- Flow measuring of liquids and gas
- Can be used in the chemical industry or in medical or laboratory engineering.
- Precision, reliability and efficiency are the remarkable features of this device.
- Robust mechanical system with a low rate of wear

Function

The fluid flows from bottom to top through the meter tube of the flow meter. The float is lifted until an annular gap between the measuring cone and the float is produced which corresponds to the flow.

The forces acting on the float are in equilibrium.

The height of the float resulting from the flow rate is transmitted by the permanent magnet in the float through the magnetic tracking system in a rotation to the pointer axis of the analog indicator unit.

The variable-area flowmeter consists of a stainless steel device with an integrated conical stainless steel measuringtube and a vertically movable float. The valve for setting the flow rate is built-in.

The BRV-132 meter is suitable for flow measurement of liquid or gaseous products in pipes.

It shows the current flow rate in volume or mass per unit in time.

Application

Applications: flow measurement, dosing, monitoring, adjusting and control of liquid and gaseous products.

The devices are available with additional electrical equipment for process monitoring and control.

- Design for horizontal and vertical connections available
- A variety of sealing materials
- Wall mounting possibility
- Flow Controller (option)
- High pressure application (option)



Technical data:

Sensor

Materials:

Measuring cone, float, armature:

Stainless steel
other materials on request
NBR, Viton, PTFE

Sealing:

Process connection:

1/4" NPT (F), adapter for other connections available
special connections on request

Nominal pressure:

PN 40
PN 64
optional up to 420 bar

Process temperature:

-40°C up to +130°C (without switch)
-25°C up to +100°C (with switch)

Ambient temperature:

-25°C up to +65°C

Weight:

0,6 kg

Ingress protection:

IP 65 (EN60529)

Ranges

BRV-132A

Range	H ₂ O [l/h]	Luft [NI/h]	Pressure drop H ₂ O [mbar *]
A	0,1-1,0	3,0-30	6,5
B	0,25-2,5	7,5-75	7,5
C	0,6-6,0	18-180	8,5
D	1,0-10	30-300	10
E	1,6-16	48-480	12
F	2,5-25	75-750	17
G	4,0-40	120-1200	25
H	6,0-60	180-1800	45
I	10-100	300-3000	95

* complete opened valve

BRV-132B

Range	H ₂ O [l/h]	Luft [NI/h]	Pressure drop H ₂ O [mbar]
A	0,1-1,0	3,0-30	6,5
B	0,25-2,5	7,5-75	7,5
C	0,6-6,0	18-180	7,5
D	1,0-10	30-300	8
E	1,6-16	48-480	10
F	2,5-25	75-750	13
G	4,0-40	120-1200	15
H	6,0-60	180-1800	25
I	10-100	300-3000	30
J	16-160	480-4800	50

Reference condition: according to IEC 770:
Water at 20°C

Display

%-scale Measuring range scale

Outputs

inductive switches
inductive switch (safe technology)

Ambient temperature:

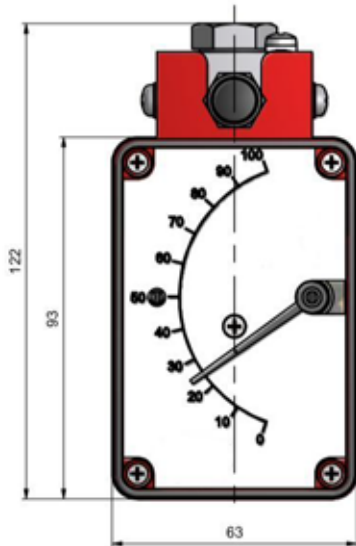
-25°C up to +65°C

Accuracy

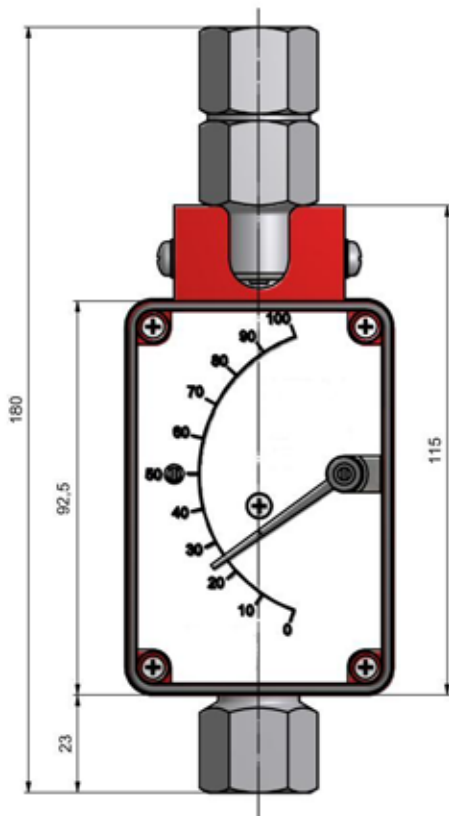
Liquid/Gas:

± 3% of FS

Product Dimensions: BRV-132A



BRV-132B



Subjects to change without notice.

C 2022 Phönix Control Kft.

Bolyki Tamás str. 44, 3600, OZD, Hungary

info@phoenix-brv.hu | www.phoenix-brv.hu | Tel.: +36-48-572-310 | Fax.: +36-48-471-642