

Sight Flow Indicator

PN 16
 Flanged connection
 Drip tube
 Horizontal or vertical mounting take care of flow direction
 Heating jacket, sight glass light as option

Product group **BRV**

Type **RFX/1**

Sheet: 1/1 Revision: 1

Date: 05/2022



Type
 FSG.RFDD-50EB
 - drip tube
 - flange
 -SS 1. 4408
 -Borosilicate glass
 acc. to DIN 7080
 - max +300 °C
 - DN 50

Field of application

The flow indicators are used for optical control of fluids and gases. They allow observation of filling and flow in pipelines. The drip tube shows little rate of flow (mounting vertical, flow top). Higher working pressure up to PN100 and special design on demand.

General data

mounting: horizontal or vertical
 connection
 - flange acc. to DIN DN 15 - 200
 - flange acc. to ANSI: 1/2" - 10"

Design data

working pressure: 1,6Mpa (16 bar), 150 lbs
 working temperature
 - Borosilicate glass acc. to DIN 7080: up to +300 °C
 - toughened glass acc. to DIN 8902: up to +150 °C

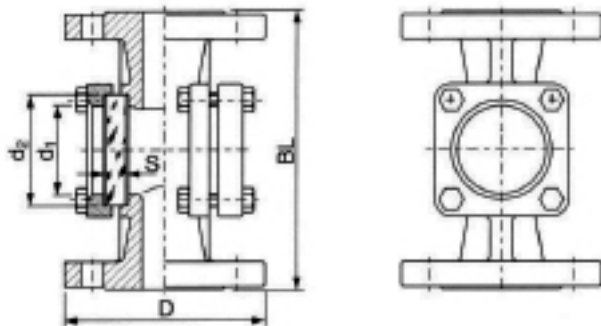
materials	body	cast iron	cast steel	stainless steel
	GG 25	GG- C25	1.4408	
covers	GG 25	C22.8	1.4301	
		RSt 37-2	1.4404	
screws	4.6/5.6 galvanized			A4-70
gaskets	graphite or other materials			

Certificates

WAZ acc. to DIN 50049: 2.2
 APZ acc. to DIN 50049: 3.1 B
 subject to alterations

Dimensions acc. to ANSI

ANSI	Orderingl code	D	BL	d ₁	d ₂	S (PN16)
1/2"	0	89	130	32	45	10
3/4"	1	98	150	32	45	10
1"	2	108	160	48	63	10
1 1/4"	3	118	180	65	80	12
1 1/2"	4	127	200	65	80	12
2"	5	152	230	80	100	15
2 1/2"	6	178	290	80	100	15
3"	7	191	310	100	125	20
4"	8	228	350	125	150	25
5"	9	254	400	150	175	25
6"	A	279	480	175	200	30
8"	B	343	600	175	200	30
10"	C	406	730	175	200	30



measures in mm

Dimensions acc. to DIN

DN	Orderingl code	D	BL	d ₁	d ₂	S (PN16)
15	0	95	130	32	45	10
20	1	105	150	48	63	10
25	2	115	160	48	63	10
32	3	140	180	65	80	12
40	4	150	200	65	80	12
50	5	165	230	80	100	15
65	6	185	290	100	125	20
80	7	200	310	100	125	20
100	8	220	350	125	150	25
125	9	250	400	150	175	25
150	A	285	480	175	200	30
200	B	340	600	175	200	30

Ordering no.

B R V . R F X 1

X 0 X X

Flange	DIN	D
	ANSI	A

B	Borosilicate	material glass
P	Toughened glass	
G	Cast iron GG 25	material body
S	Cast steel GS- C-25	
E	Stainless steel WN 1.4408	
0	1,6 MPa (16 bar)	working press.
X	X=0 - C acc. to the table for DIN or ANSI	nominal diameter

Phönix Control Kft.

Bolyki Tamás street 44.

Ozd, 3600, Hungary

Tel.: +36-48-572-310

+36-48-572-567

Fax.: +36-48-471-642

E-mail: info@phoenix-brv.hu

web: www.phoenixcontrol.hu